



# ST69

## CLASS-A TUBE CONDENSER MICROPHONE

Sterling Audio's ST69 Tube Microphone is an excellent choice for recording engineers and musicians looking for a superior studio microphone. A combination of new and traditional technology, blended with our Disk Resonator™ system, yields wide frequency response and quick transient response without sacrificing warmth and tone. It's ideal for capturing the full, detailed sound of vocals, acoustic & electric instruments, and drums. And its precision machined, brushed stainless-steel finish complements the ST69's technical brilliance.

### FEATURES

- Cardioid, Omni, and Figure-8 patterns
  - Low noise, low heat, 6205 tube circuit
  - Double-sided 1" all brass capsule, hand assembled and oven baked for long term stable operation
  - Ultra-thin 3-micron gold-evaporated Mylar diaphragm provides sonic detail and accuracy
  - Disk Resonator™ design extends high-frequencies naturally
  - High pass filter and -10dB pad
  - Custom-wound nickel core output transformer, optimized for the ST69
  - Brushed stainless steel body and head
- Includes:
- Metal covered, padded carrying case
  - SM-4 silver shock mount
  - 7-pin XLR cable
  - STPSM1 low noise tube power supply

### PRODUCT SPECIFICATIONS

Preamp	Class-A Tube
Polar Patterns	Cardioid, Omni, Figure-8
Frequency Response	20Hz - 20kHz
High Pass Filter	Switchable 75Hz, 12dB/octave
Attenuation Pad	Switchable -10dB
Sensitivity	30mV/Pa
Maximum SPL	130/140dB SPL
Equivalent Noise	23dB SPL
Typical Load Impedance	>1000 Ohms
Output Source Impedance	200 Ohms, transformer isolated
Dimensions	7.5" long, 1.8" max. diameter
Weight	1.2 lbs.
Power	Included power supply

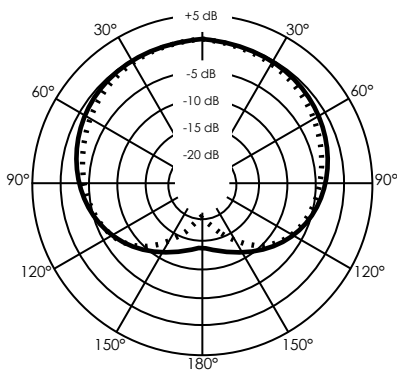
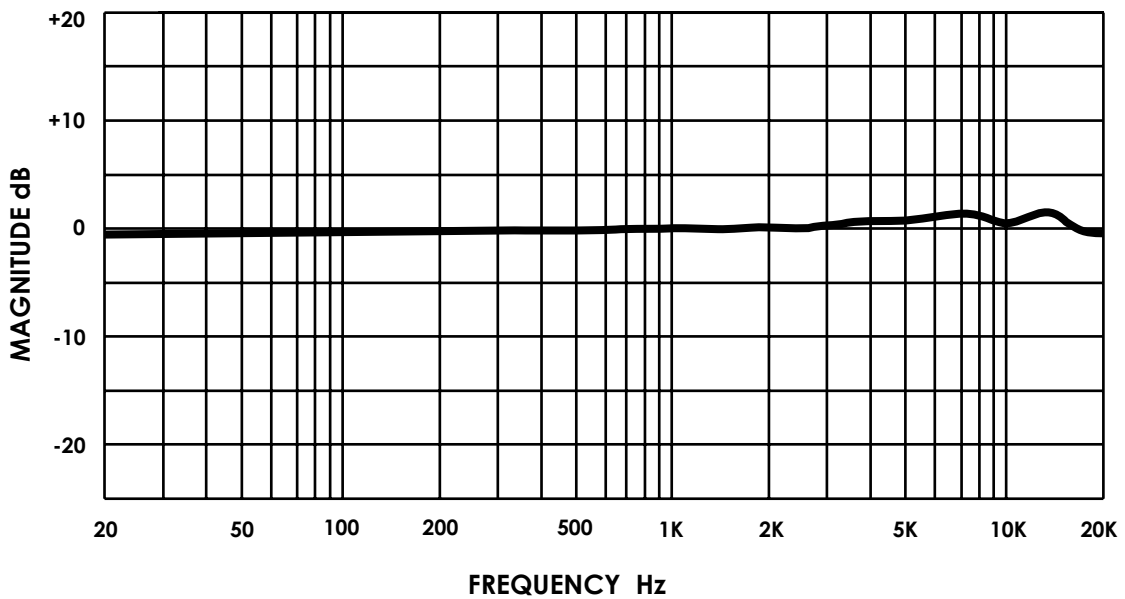




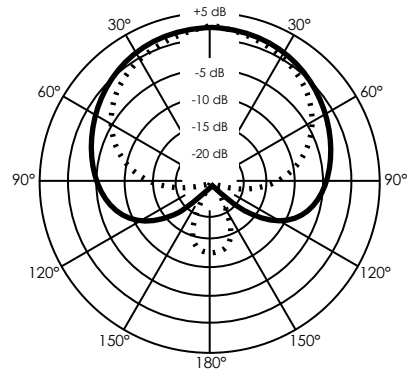
# STERLING

capture the moment

## FREQUENCY RESPONSE AND POLAR PATTERNS ST69 CARDIOID



125 ——— 500 .....  
250 ——— 1000 .....

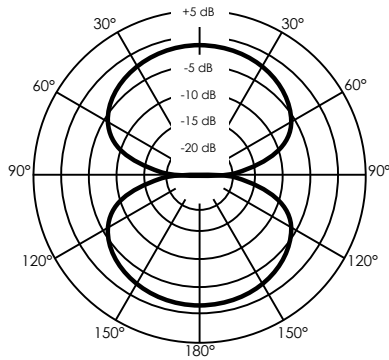
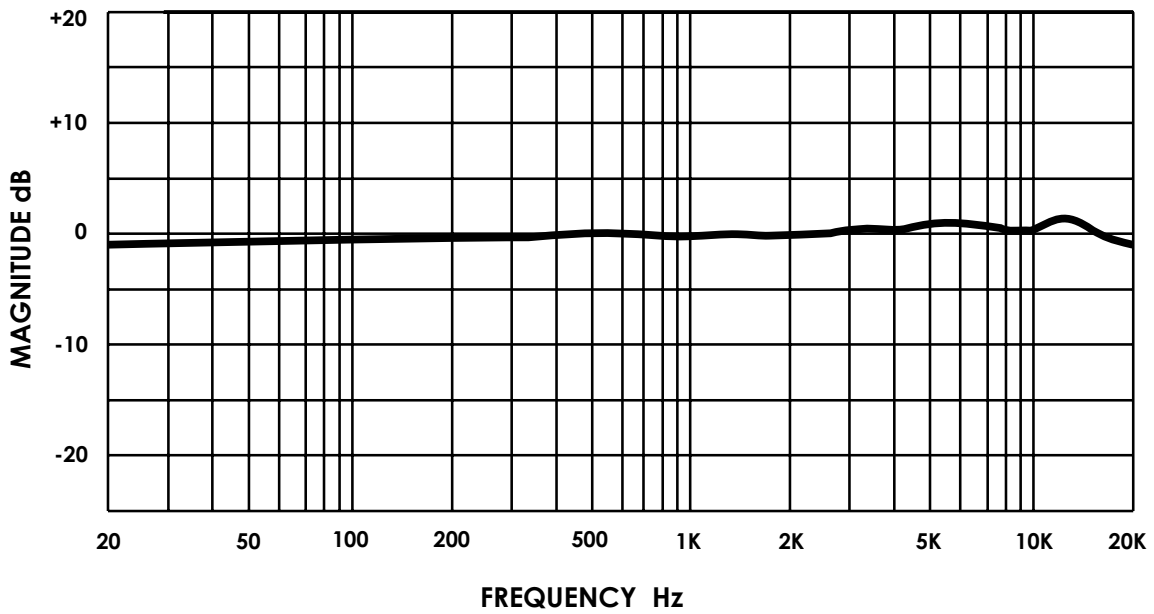


2500 ——— 10000 .....  
5000 ——— 15000 .....

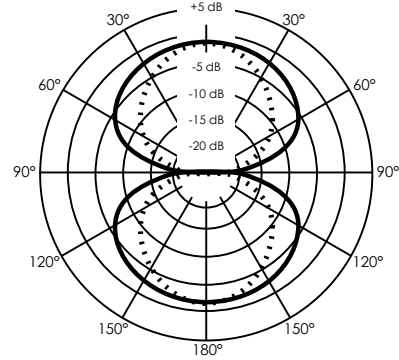


**STERLING**  
capture the moment

## FREQUENCY RESPONSE AND POLAR PATTERNS ST69 FIGURE-8



125 ——— 500 .....  
250 ——— 1000 .....



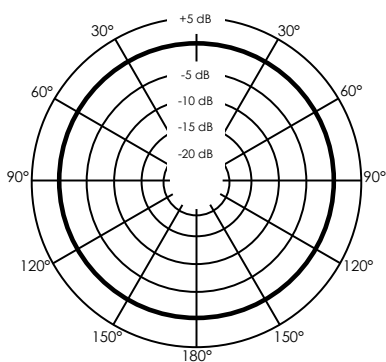
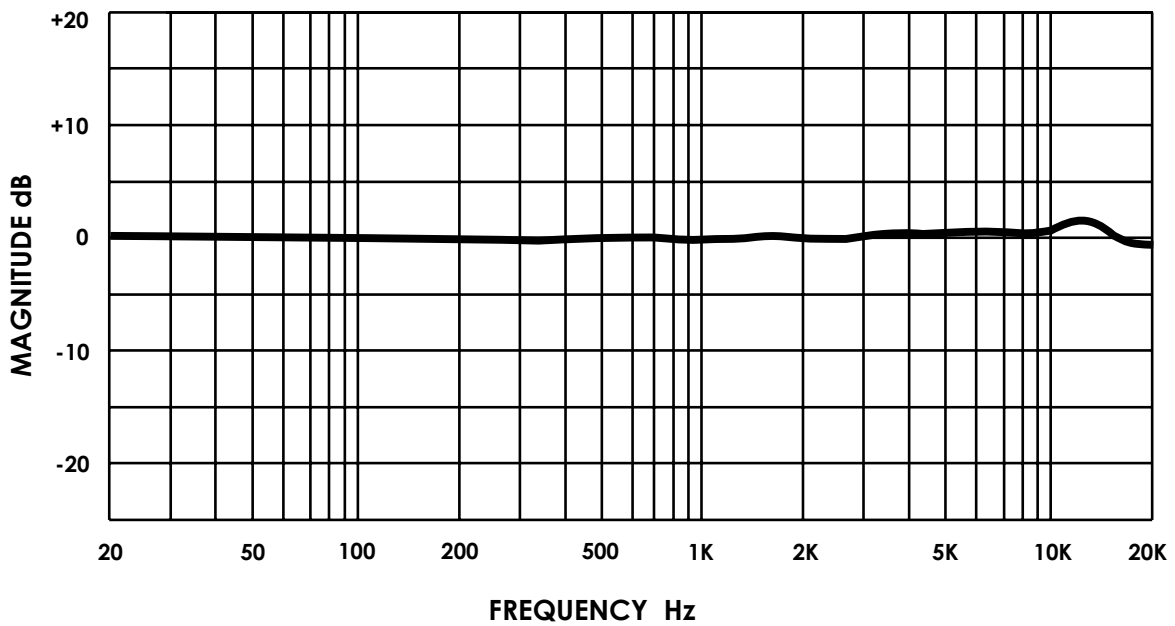
2500 ——— 10000 .....  
5000 ——— 15000 .....



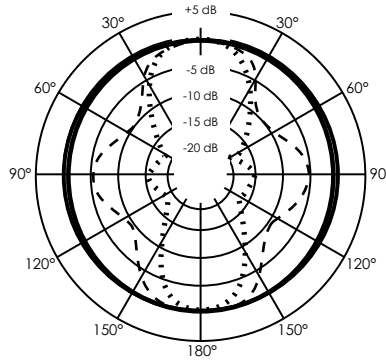
# STERLING

capture the moment

## FREQUENCY RESPONSE AND POLAR PATTERNS ST69 OMNI



125 ——— 500 .....  
250 ——— 1000



2500 ——— 10000 .....  
5000 ——— 15000